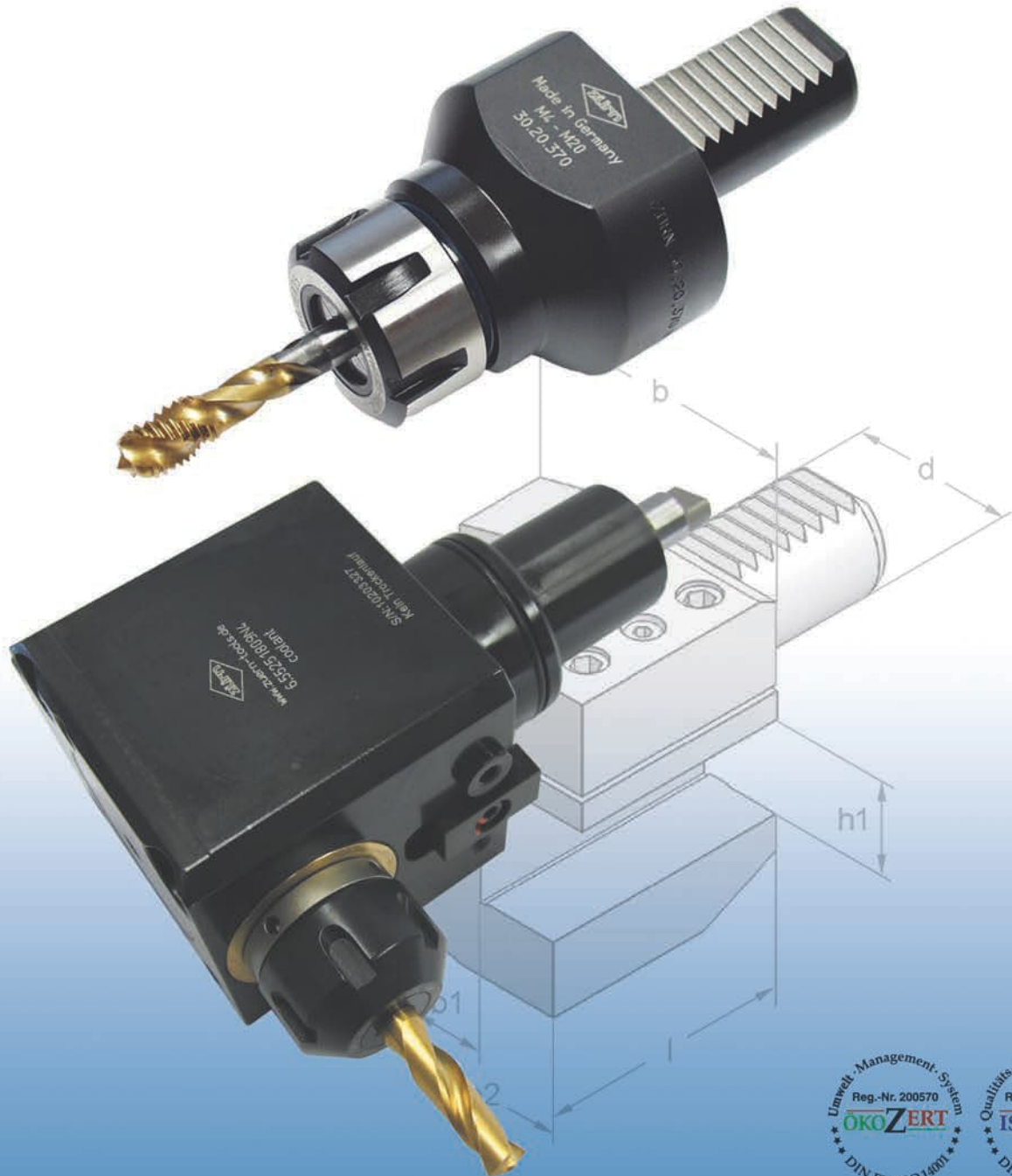




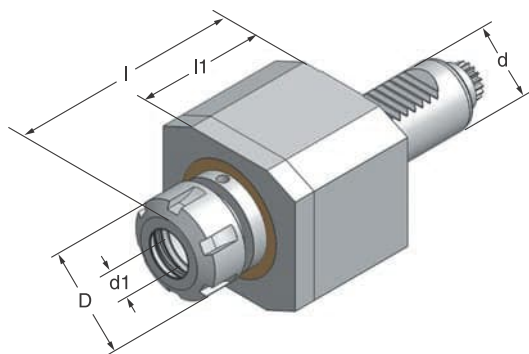
Werkzeughalter für CNC-Drehmaschinen DIN 69880 / DIN ISO 10889

Toolholders for CNC machines
DIN 69880 / DIN ISO 10889



Axial Bohr- und Fräskopf
Axial drilling and milling head

Lieferumfang ohne Werkzeug und Spannzange
 Delivery without tool and collet



Sauter-Revolver DIN 5480 CTX



Sauter-Revolver DIN 5482 5482



Diplomatic DIN 1809 1809



Barrufaldi TOEM TOEM



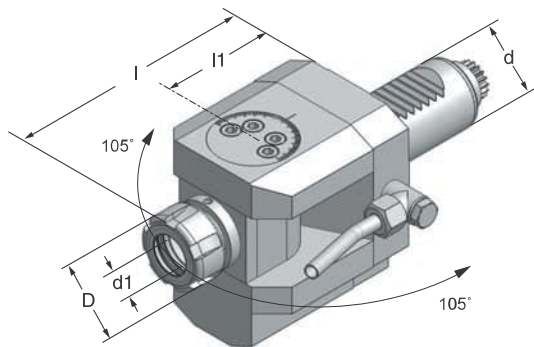
Bitte geben Sie bei Ihrer Anfrage den **Maschinentyp** an
 In case of inquiry please indicate details of **type** of machine as shown

Art.-Nr.	Typ	d	d1	D	l	l1
4.2020CTX	VDI20xER20	20	1-13	34	76	49
4.20161809	VDI20xER16	20	1-10	28	76	40
4.2525K5480	VDI25xER25	25	1-16	42	86	58
4.2520G200	VDI25xER20	25	1-13	34	66	55
4.3025CTX	VDI30xER25	30	1-16	42	88	58
4.3025CTXk	VDI30xER25	30	1-16	42	88	58
4.3032CTX	VDI30xER32	30	2-20	50	88	58
4.30255482	VDI30xER25	30	1-16	42	88	58
4.30255482k	VDI30xER25	30	1-16	42	88	58
4.30251809	VDI30xER25	30	1-16	42	88	58
4.30251809k	VDI30xER25	30	1-16	42	88	58
4.3025TOEM	VDI30xER25	30	1-16	42	88	58
4.3025TOEMk	VDI30xER25	30	1-16	42	88	58
4.3025LT10	VDI30xER25	30	1-16	42	88	58
4.3025LT10k	VDI30xER25	30	1-16	42	88	58
4.3025GU600	VDI30xER25	30	1-16	42	88	58
4.4032CTX	VDI40xER32	40	2-20	50	110	76
4.4032CTXk	VDI40xER32	40	2-20	50	110	76
4.40325482	VDI40xER32	40	2-20	50	110	76
4.40325482k	VDI40xER32	40	2-20	50	110	76
4.40321809	VDI40xER32	40	2-20	50	110	76
4.40321809k	VDI40xER32	40	2-20	50	110	76
4.4032TOEM	VDI40xER32	40	2-20	50	110	76
4.4032TOEMk	VDI40xER32	40	2-20	50	110	76
4.4032LT15	VDI40xER32	40	2-20	50	110	76
4.4032LT15k	VDI40xER32	40	2-20	50	110	76
4.4032HAASL20	VDI40xER32	40	2-20	50	110	76
4.4032GU800	VDI40xER32	40	2-20	50	110	58
4.4032GU800k	VDI40xER32	40	2-20	50	110	58
4.4032TMM250	VDI40xER32	40	2-20	50	110	58
4.50405480	VDI50xER40	50	3-30	63	120	80
4.50405480k	VDI50xER40	50	3-30	63	120	80
4.50405482	VDI50xER40	50	3-30	63	120	80
4.50405482k	VDI50xER40	50	3-30	63	120	80
4.50401809	VDI50xER40	50	3-30	63	120	80
4.50401809k	VDI50xER40	50	3-30	63	120	80

Ausführung k mit innerer Kühlmittelzufuhr
Type k with internal cooling supply

Schwenkkopf
Swivel head

Lieferumfang ohne Werkzeug und Spannzange
 Delivery without tool and collet



Sauter-Revolver DIN 5480 CTX



Sauter-Revolver DIN 5482 5482



Diplomatic DIN 1809 1809



Barrufaldi TOEM TOEM



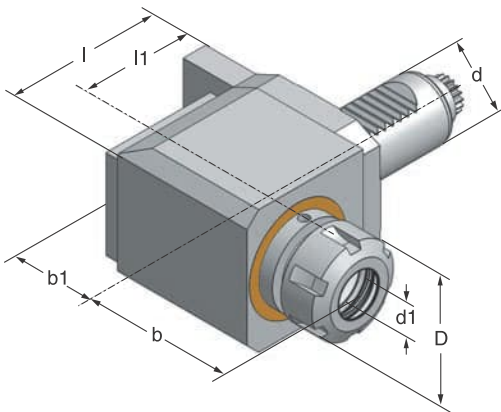
Bitte geben Sie bei Ihrer Anfrage den **Maschinentyp** an
 In case of inquiry please indicate details of **type** of machine as shown

Art.-Nr.	Typ	d	d1	D	l	l1
5.20165480	VDI20xER16	20	1-10	28	118	64
5.20161809	VDI20xER16	20	1-10	28	118	64
5.2016TOEM	VDI20xER16	20	1-10	28	118	64
5.25205480	VDI25xER20	25	1-13	34	115	58
5.3020CTX	VDI30xER20	30	1-13	34	102	53
5.30205482	VDI30xER20	30	1-13	34	102	53
5.30201809	VDI30xER20	30	1-13	34	102	53
5.3020TOEM	VDI30xER20	30	1-13	34	102	53
5.4025CTX	VDI40xER25	40	1-16	42	129	66
5.4025LCTX	VDI40xER25	40	1-16	42	150	87
5.40255482	VDI40xER25	40	1-16	42	120	57
5.40251809	VDI40xER25	40	1-16	42	120	57
5.4025TOEM	VDI40xER25	40	1-16	42	120	57
5.50325480	VDI50xER32	50	3-20	50	150	87

Radial Bohr- und Fräskopf
 Radial drilling and milling head



Abb. zeigt Ausführung R / Picture shows Type R



Art.-Nr.	Typ	d	d1	l	l1	b	b1
6.2016CTX R	VDI20xER16	20	1-10	68	45	57	32
6.2016CTX L	VDI20xER16	20	1-10	68	45	57	32
6.2016LCTX R	VDI20xER16	20	1-10	101	75	62	48
6.2016LCTX L	VDI20xER16	20	1-10	101	75	62	48
6.2020CTX R	VDI20xER20	20	1-13	68	45	57	32
6.2020CTX L	VDI20xER20	20	1-13	68	45	57	32
6.20161809 R	VDI20xER16	20	1-10	68	48	58	25
6.20161809 L	VDI20xER16	20	1-10	68	48	58	25
<hr/>							
6.2525CTXL R	VDI25xER25	25	1-16	101	75	63	40
6.2525CTXL L	VDI25xER25	25	1-16	101	75	63	40
<hr/>							
6.3025CTX R	VDI30xER25	30	1-16	81	55	63	48
6.3025CTX L	VDI30xER25	30	1-16	81	55	63	48
6.3025CTX Rk	VDI30xER25	30	1-16	81	55	63	48
6.3025CTX Lk	VDI30xER25	30	1-16	81	55	63	48
6.3025LCTX RL	VDI30xER25	30	1-16	126	100	63	48
6.3025LCTX RLk	VDI30xER25	30	1-16	126	100	63	48
6.30255482 R	VDI30xER25	30	1-16	81	55	63	48
6.30255482 L	VDI30xER25	30	1-16	81	55	63	48
6.30255482 Rk	VDI30xER25	30	1-16	81	55	63	48
6.30255482 Lk	VDI30xER25	30	1-16	81	55	63	48
6.30251809 R	VDI30xER25	30	1-16	81	55	63	48
6.30251809 L	VDI30xER25	30	1-16	81	55	63	48
6.30251809 Rk	VDI30xER25	30	1-16	81	55	63	48
6.30251809 Lk	VDI30xER25	30	1-16	81	55	63	48
6.3025LT10 R	VDI30xER25	30	1-16	81	55	63	48
6.3025LT10 L	VDI30xER25	30	1-16	81	55	63	48
6.3025LT10 Rk	VDI30xER25	30	1-16	81	55	63	48
6.3025LT10 Lk	VDI30xER25	30	1-16	81	55	63	48

Ausführung R wie abgebildet / **Type R** right hand design as shown
Ausführung L spiegelbildlich / **Type L** left hand design reversed
Ausführung RL mit doppelverzahntem VDI-Schaft
Type RL with doubletoothed VDI-shaft

Ausführung k mit innerer Kühlmittelzufuhr
Type k with internal cooling supply

Sauter-Revolver DIN 5480 CTX



Sauter-Revolver DIN 5482 5482



Diplomatic DIN 1809 1809



Barrufaldi TOEM TOEM

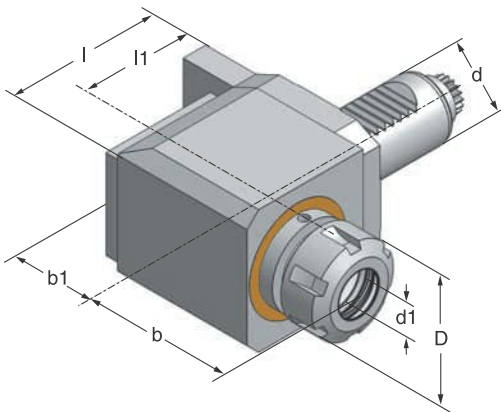


Bitte geben Sie bei Ihrer Anfrage den **Maschinentyp** an
 In case of inquiry please indicate details of **type** of machine as shown

Radial Bohr- und Fräskopf
Radial drilling and milling head



Abb. zeigt Ausführung R / Picture shows Type R



Sauter-Revolver DIN 5480 CTX



Sauter-Revolver DIN 5482 5482



Diplomatic DIN 1809 1809



Barrufaldi TOEM TOEM



Bitte geben Sie bei Ihrer Anfrage den **Maschinentyp** an
In case of inquiry please indicate details of **type** of machine as shown

Art.-Nr.	Typ	d	d1	l	l1	b	b1
6.4032CTX R	VDI40xER32	40	2-20	103	65	82	72
6.4032CTX L	VDI40xER32	40	2-20	103	65	82	72
6.4032CTX Rk	VDI40xER32	40	2-20	103	65	82	72
6.4032CTX Lk	VDI40xER32	40	2-20	103	65	82	72
6.4032CTX RL	VDI40xER32	40	2-20	138	100	85	53
6.4032CTX RLk	VDI40xER32	40	2-20	138	100	85	53
6.4032LCTX RL	VDI40xER32	40	2-20	158	120	85	53
6.4032LCTX RLk	VDI40xER32	40	2-20	158	120	85	53
6.40325482 R	VDI40xER32	40	2-20	103	65	82	72
6.40325482 L	VDI40xER32	40	2-20	103	65	82	72
6.40325482 Rk	VDI40xER32	40	2-20	103	65	82	72
6.40325482 Lk	VDI40xER32	40	2-20	103	65	82	72
6.40321809 R	VDI40xER32	40	2-20	103	65	82	72
6.40321809 L	VDI40xER32	40	2-20	103	65	82	72
6.40321809 Rk	VDI40xER32	40	2-20	103	65	82	72
6.40321809 Lk	VDI40xER32	40	2-20	103	65	82	72
6.4032TOEM R	VDI40xER32	40	2-20	103	65	82	72
6.4032TOEM L	VDI40xER32	40	2-20	103	65	82	72
6.4032LT15 RL	VDI40xER32	40	2-20	103	65	82	72
6.4032LT15 RLk	VDI40xER32	40	2-20	103	65	82	72
6.4032TMM250	VDI40xER32	40	2-20	128	90	82	72
<hr/>							
6.50405480 R	VDI50xER40	50	3-30	119	75	96	84
6.50405480 L	VDI50xER40	50	3-30	119	75	96	84
6.50401809 R	VDI50xER40	50	3-30	119	75	96	84
6.50401809 L	VDI50xER40	50	3-30	119	75	96	84
6.50401809 Rk	VDI50xER40	50	3-30	119	75	96	84
6.50401809 Lk	VDI50xER40	50	3-30	119	75	96	84

Ausführung R wie abgebildet / **Type R** right hand design as shown

Ausführung L spiegelbildlich / **Type L** left hand design reversed

Ausführung RL mit doppelverzahntem VDI-Schaft

Type RL with doubletoothed VDI-shaft

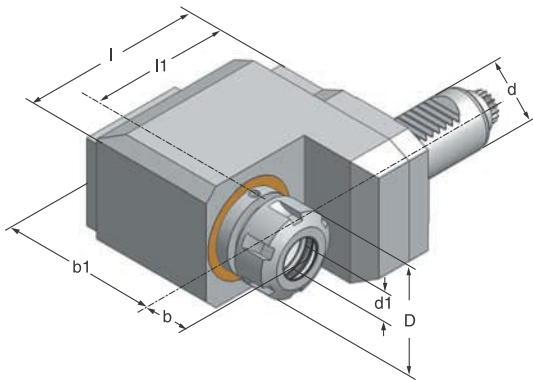
Ausführung k mit innerer Kühlmittelzufuhr

Type k with internal cooling supply

Radial Bohr- und Fräskopf zurückgesetzt
 Radial drilling and milling head set back



Abb. zeigt Ausführung R / Picture shows Type R



Sauter-Revolver DIN 5480 CTX



Sauter-Revolver DIN 5482 5482



Diplomatic DIN 1809 1809



Barrufaldi TOEM TOEM



Bitte geben Sie bei Ihrer Anfrage den **Maschinentyp** an
 In case of inquiry please indicate details of **type** of machine as shown

Art.-Nr.	Typ	d	d1	l	l1	b	b1
8.16125480ZR	VDI16xER11	16	1- 7	61	45	15	53
8.20165480 R	VDI20xER16	20	1-10	77	54	22	81
8.20165480 L	VDI20xER16	20	1-10	77	54	22	81
8.20161809 R	VDI20xER16	20	1-10	77	54	22	81
8.20161809 L	VDI20xER16	20	1-10	77	54	22	81
8.2016TOEM R	VDI20xER16	20	1-10	78	58	22	80
8.2016TOEM L	VDI20xER16	20	1-10	78	58	22	80
8.2525L5480 R	VDI25xER25	25	1-16	104	75	42	70
8.2525L5480 L	VDI25xER25	25	1-16	104	75	42	70
8.3025CTX R	VDI30xER25	30	1-16	115	70	21	83
8.3025CTX L	VDI30xER25	30	1-16	115	70	21	83
8.3025LCTX RL	VDI30xER25	30	1-16	126	100	42	69
8.3025LCTX RLk	VDI30xER25	30	1-16	126	100	42	69
8.30255482 R	VDI30xER25	30	1-16	115	70	21	83
8.30255482 L	VDI30xER25	30	1-16	115	70	21	83
8.30251809 R	VDI30xER25	30	1-16	115	70	21	83
8.30251809 L	VDI30xER25	30	1-16	115	70	21	83
8.3025TOEM R	VDI30xER25	30	1-16	115	70	21	83
8.3025TOEM L	VDI30xER25	30	1-16	115	70	21	83
8.3025TOEM Rk	VDI30xER25	30	1-16	115	70	21	83
8.3025TOEM Lk	VDI30xER25	30	1-16	115	70	21	83
8.4032CTX R	VDI40xER32	40	2-20	128	90	32	100
8.4032CTX L	VDI40xER32	40	2-20	128	90	32	100
8.4032CTX Rk	VDI40xER32	40	2-20	128	90	32	100
8.4032CTX Lk	VDI40xER32	40	2-20	128	90	32	100
8.4032CTX RL	VDI40xER32	40	2-20	138	100	31	100
8.4032CTX RLk	VDI40xER32	40	2-20	138	100	31	100
8.4032LCTX RL	VDI40xER32	40	2-20	158	120	31	100
8.40325482 R	VDI40xER32	40	2-20	128	90	32	100
8.40325482 L	VDI40xER32	40	2-20	128	90	32	100
8.40321809 R	VDI40xER32	40	2-20	128	90	32	100
8.40321809 L	VDI40xER32	40	2-20	128	90	32	100
8.40321809 Rk	VDI40xER32	40	2-20	128	90	32	100
8.40321809 Lk	VDI40xER32	40	2-20	128	90	32	100
8.4032TOEM R	VDI40xER32	40	2-20	128	90	32	100
8.4032TOEM L	VDI40xER32	40	2-20	128	90	32	100
8.4032TMM250	VDI40xER32	40	2-20	128	90	32	100
8.50405480 R	VDI50xER40	50	3-30	156	112	30	126
8.50405480 L	VDI50xER40	50	3-30	156	112	30	126
8.50405480 Rk	VDI50xER40	50	3-30	156	112	30	126
8.50405480 Lk	VDI50xER40	50	3-30	156	112	30	126

Ausführung R wie abgebildet / **Type R** right hand design as shown
Ausführung L spiegelbildlich / **Type L** left hand design reversed
Ausführung RL mit doppelverzahntem VDI-Schaft
Type RL with doubletoothed VDI-shaft

Ausführung k mit innerer Kühlmittelzufuhr
Type k with internal cooling supply